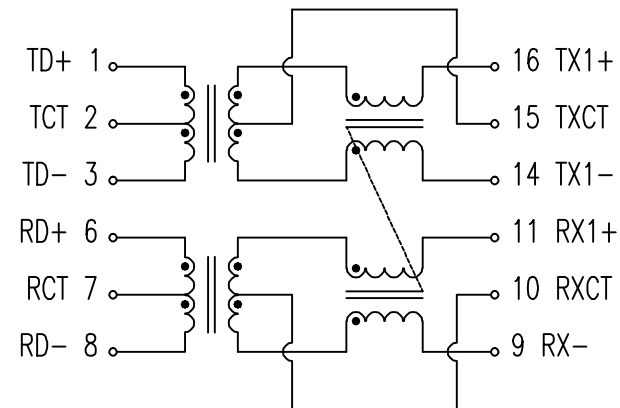


SUGGESTED PAD LAYOUT

UNLESS OTHERWISE SPECIFIED ALL TOLERANCES ARE ±0.25mm



* RoHS COMPLIANT

ELECTRICAL SPECIFICATIONS @ 25°C :

1. TURNS RATIO : 1CT : 1CT
2. OCL (100kHz, 0.1V WITH 8mA/DC BIAS) : 350uH MIN.
3. HI-POT : 1500Vrms, 1mA, 60SEC
4. INSERTION LOSS : 1-100MHz = -1.1dB MAX.
5. RETURN LOSS (@100Ω) : 1-30MHz = -18dB MIN.
40MHz = -14.4dB MIN.
50MHz = -13.1dB MIN.
60-80MHz = -12dB MIN.
6. DCMR : 1-100MHz = -30dB MIN.
7. CROSS TALK : 1-100MHz = -30dB MIN.
8. Suitable for End-span PoE applications with 720mA current capability
9. OPERATING TEMPERATURE RANGE : -40°C~+85°C
10. Comply with IEEE 802.3at stanford

						TITLE		10/100 BASE-TX PoE+ TRANSFORMER
						DWG. NO.		ATPL-458R
	RELEASE	09/21/2018	SHIRLEY	BETTY	BETTY	UNITS:	SAFETY	
						M/M		
NO:	DESCRIPTION	DATE	BY	CHK	APPD	DATE	P/N:	SHEET 1 of 1
REVISIONS						09/21/18	DRAW	SHIRLEY